

VT100 BODY-WORN CAMERA

The VT100 delivers a customizable and fully integrated enterprise mobile video solution.



GENERAL INFORMATION

| | |
|---------------------|--|
| Typical Usage | Enterprise managed incident recorder for personal and site security |
| Management Software | Requires VideoManager Licence or Cloud Service |
| Warranty | 1 year return-to-manufacturer warranty For support relating to VideoManager, Software Assurance is required |

SIZE AND WEIGHT

| | |
|------------|--------------------------------------|
| Dimensions | 3.1 x 2.0 x 0.9 in (80 x 51 x 22 mm) |
| Weight | 2.54 oz (72 g) |

BATTERY

| | |
|-------------------------------|---|
| Battery | Integral, not user serviceable |
| Battery Type | Lithium-ion |
| Battery Recharging Times | Typically recharges in less than 5 hours |
| Battery in Recording Mode | Up to 3 hours of recording, or up to 1.5 hours of live streaming & recording |
| Battery capacity in standby | 6 months |
| Battery Overcharge Protection | VT100 has overcharge protection so cannot be overcharged and can be left in docking station |

AUDIO

| | |
|---------------|-----|
| Audio Capture | Yes |
|---------------|-----|

CAMERA

| | |
|--------------------|--|
| Buttons | Two buttons on back, either of which can be used to start and stop recording |
| Lens Capture Angle | 130 degree field of view |

CAMERA FEATURES

| | |
|------------------------------------|--|
| Memory Capacity | 16GB |
| Recording Status User Notification | Haptic and visual feedback |
| Storage Media Access | Sealed unit with no user access to storage media |
| Front Display Message | Display ID card with message/logo |

VIDEO AND RECORDING

| | |
|----------------------------|----------------------|
| Video Recording Format | H.264 |
| Resolution | 1280 x 720 HD |
| Frame Rate | 30 frames per second |
| Recording Storage Capacity | 16GB |

APPROVALS AND ENVIRONMENTAL

| | |
|--|---|
| Ingress Protection | IP54 |
| Environmental Temperature Operational Rating | Operating: -4 to +104 °F (-20 to +40 °C) Charging: +32 to +77 °F (0 to +25 °C) |

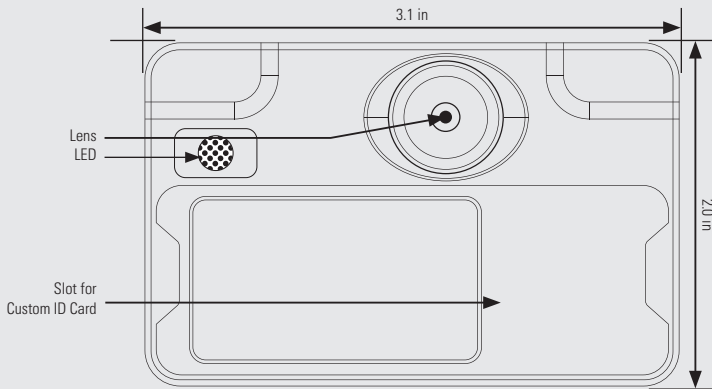
WI-FI® FEATURES

| | |
|----------------------|---|
| Wi-Fi Specifications | 802.11 b/g/n (2.4GHz WiFi) |
| Wi-Fi Security | WPA2-PSK |
| Wi-Fi Streaming | 640x360 30fps Compatible with ONStream |

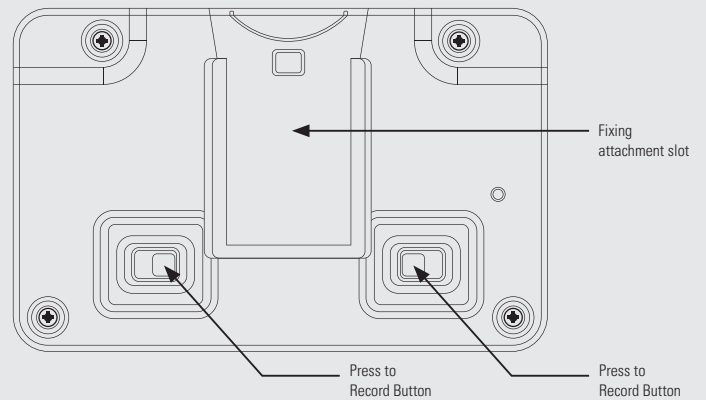
SECURITY

| | |
|--|---|
| Network Data Security on USB Storage Media | VT100 does not appear as a USB storage device, and cannot receive files while connected to a Wi-Fi network |
| Audit Trail | Usage, operations and recording details all audit-logged and indexed |
| Recordings View, Copy and Deletion Ability | The VT100 wearer cannot access, view or delete any recordings directly from the device, or camera without appropriate authorization |
| Storage Media Access | Sealed unit with no user access to storage media |

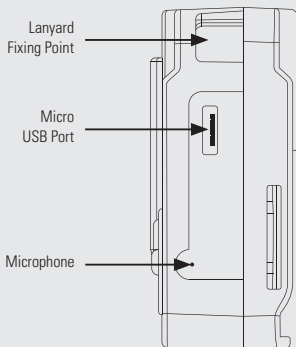
View on Front Face



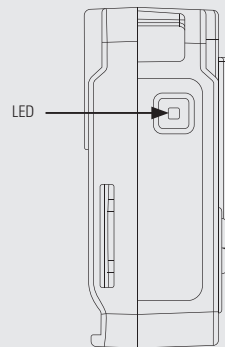
View on Back Face



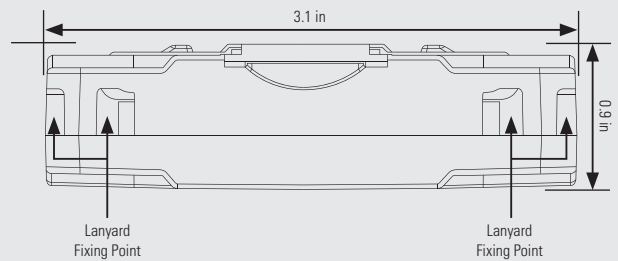
View on Left Side Face



View on Right Side Face



View on Top Face



VT-100-N & ACCESSORIES

VT100 (VT-100-N)



Features include:

Wi-Fi streaming, Small and discreet, 16GB storage, 6 Months Standby (Instant Recording Mode), Up to 3 hours of recording, or up to 1.5 hours of live streaming & recording, 1 year return-to-base warranty.

PLEASE NOTE: Requires VideoManager Enterprise Licence or VideoManager Cloud Service. Please speak to your account manager for further details.

PART NUMBER: VT-100-N



CHARGERS, DOCKCONTROLLERS, RFIDS & CUSTOM DISPLAY FRONT-PANEL ID CARD

| | |
|--|--|
| VT-100-SOLO | VT100 1-Port Dock (2.0m USB Cable Included) |
| VT-100-SOLO-050 | VT100 1-Port Dock (0.5m USB Cable Included) |
| VT-100-DOCK7/UK, VT-100-DOCK7/EU, VT-100-DOCK7/ROW | VT100 7-Port Dock* |
| VT-100-DOCK14/UK, VT-100-DOCK14/US, VT-100-DOCK14/ROW, VT-100-DOCK14/EU, VT-100-DOCK14/AUS | VT100 14-Port Dock |
| DC-200/UK, DC-200/EU, DC-200/US, DC-200/AUS, DC-200/ROW | DockController DC-200 |
| RF-220 | RFID RF-220 |
| RF-STICKER-10 | RFID Sticker-Style Tag |
| RF-CARD-10 | RFID-Card |
| VT-100-ID-CUS-ART | Custom VT100 Front-panel ID Card (Design) |
| VT-100-ID-CUS-250, VT-100-ID-CUS-1000, VT-400-ID-CUS-5000 | Custom VT100 Front-panel ID Card (Design) Can be ordered in the following quantities: 250, 1000, 5000 |



ATTACHMENTS, LANYARDS & REPLACEMENT CABLES

| | |
|----------------------------------|---|
| VT-100-FIX-ALIG | VT100 Rotatable Long Alligator Clip |
| VT-100-FIX-EP | VT100 Epaulette (Shoulder) Clip |
| VT-100-FIX-SPORT | VT100 Sports Camera Pillar |
| VT-100-FIX-KF-ALT | VT100 Klick Fast Stud |
| AC-USB-MICROB-100 | Replacement Micro USB Cable |
| AC-USB-DOCK-200, AC-USB-DOCK-050 | Replacement USB Type A to USB Type B Cable (0.5m, 2.0m) |
| AC-LANYARD-05 | Lanyard with 5 Breakpoints and 2 Loops |



KLICK FAST FIXINGS

Klick Fast Fixings are compatible with the **VT-100-N** when used in conjunction with the **VT-100-FIX-KF-ALT** attachment.

| | |
|--------------|--|
| KF-SCREW | Klick Fast Uniform Screw-on Dock |
| KF-LOOP | Klick Fast Radio Loop Dock |
| KF-DOCKCLAMP | Klick Fast Dock Clamp (Pocket Klick Fast Dock) |
| KF-DOCKEP | Klick Fast Dock Epaulette |
| KF-MAGMOUNT | Klick Fast Magnetic Mounting Set (Supplied w/o Magnets) |
| KF-MOLLEVEST | Klick Fast Dock for MOLLE Vests |



KLICK FAST HARNESSES

Klick Fast Harnesses are compatible with the **VT-100-N** when used in conjunction with the **VT-100-FIX-KF-ALT** attachment.

| | |
|----------|----------------------------------|
| KF-HARN3 | Klick Fast 3-Point Chest Harness |
| KF-HARN4 | Klick Fast 4-Point Chest Harness |
| KF-HARN5 | Klick Fast Shoulder Harness |

For more information, please visit: www.motorolasolutions.com

Motorola Solutions, Inc. 500 West Monroe Street, Chicago, IL 60661, U.S.A. 800-367-2346

Availability is subject to individual country law and regulations. All specifications shown are typical unless otherwise stated and are subject to change without notice. MOTOROLA, MOTO, MOTOROLA SOLUTIONS and the Stylized M Logo are trademarks or registered trademarks of Motorola Trademark Holdings, LLC and are used under license. All other trademarks are the property of their respective owners.
© 2020 Motorola Solutions, Inc. All rights reserved. (04/20) (ED-002-023-06-US)